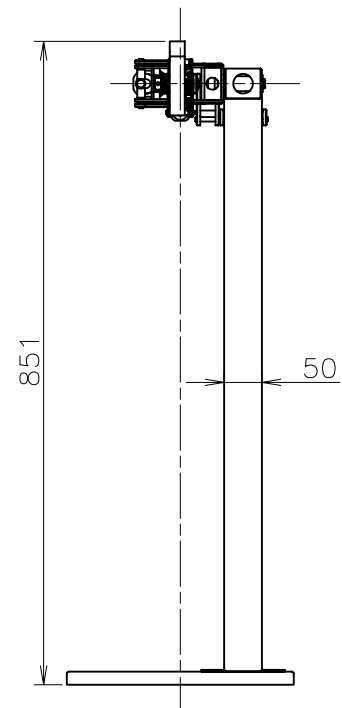
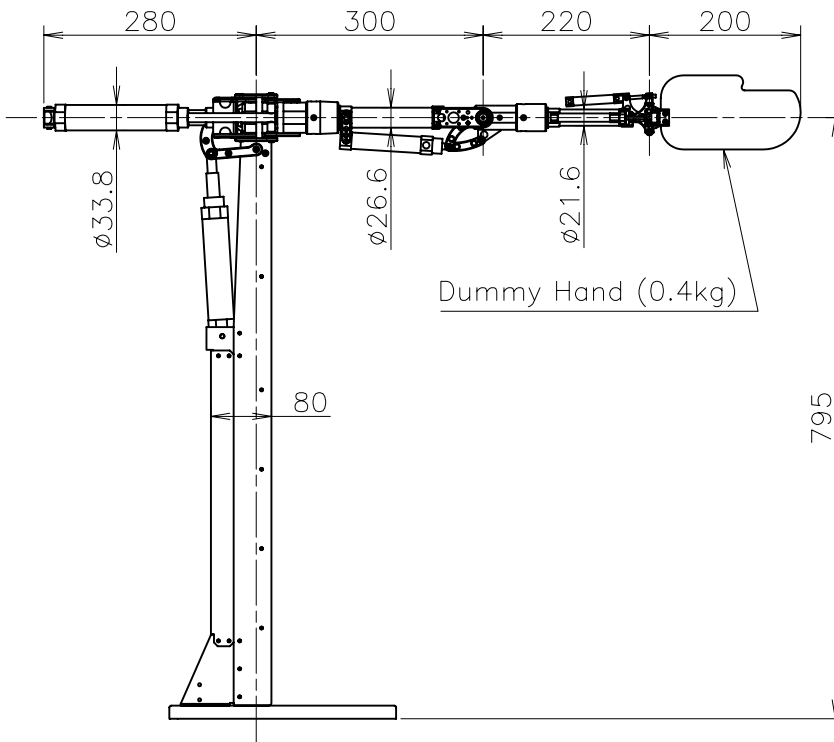
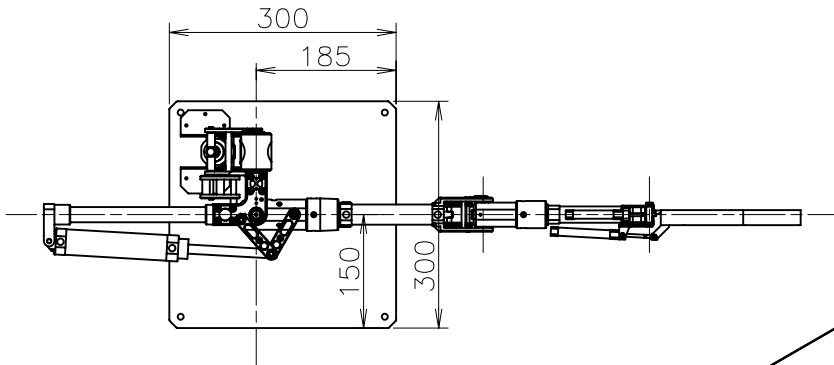
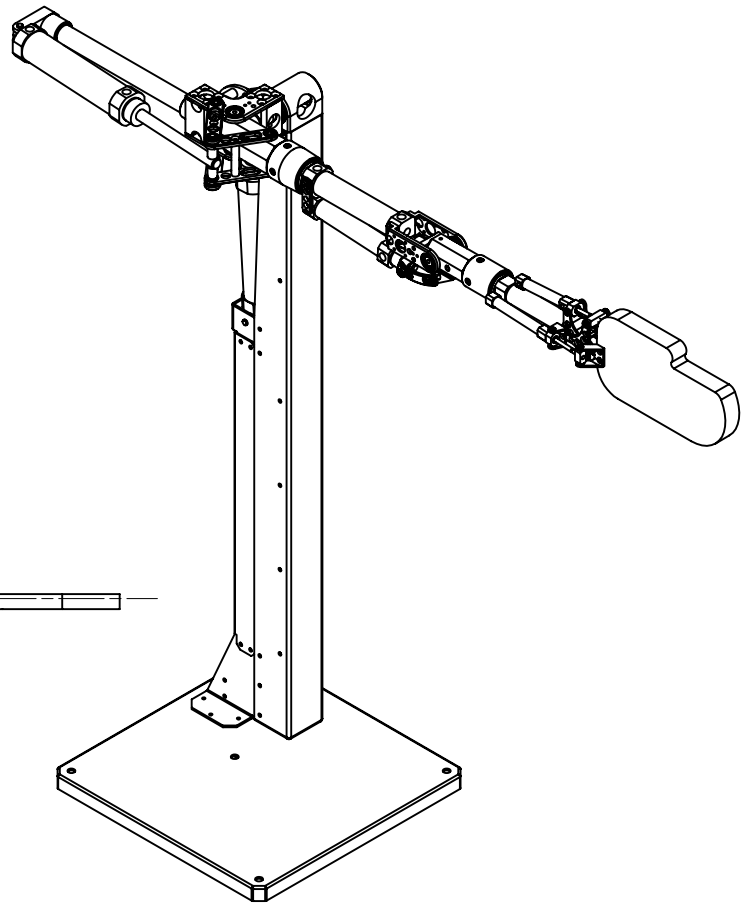


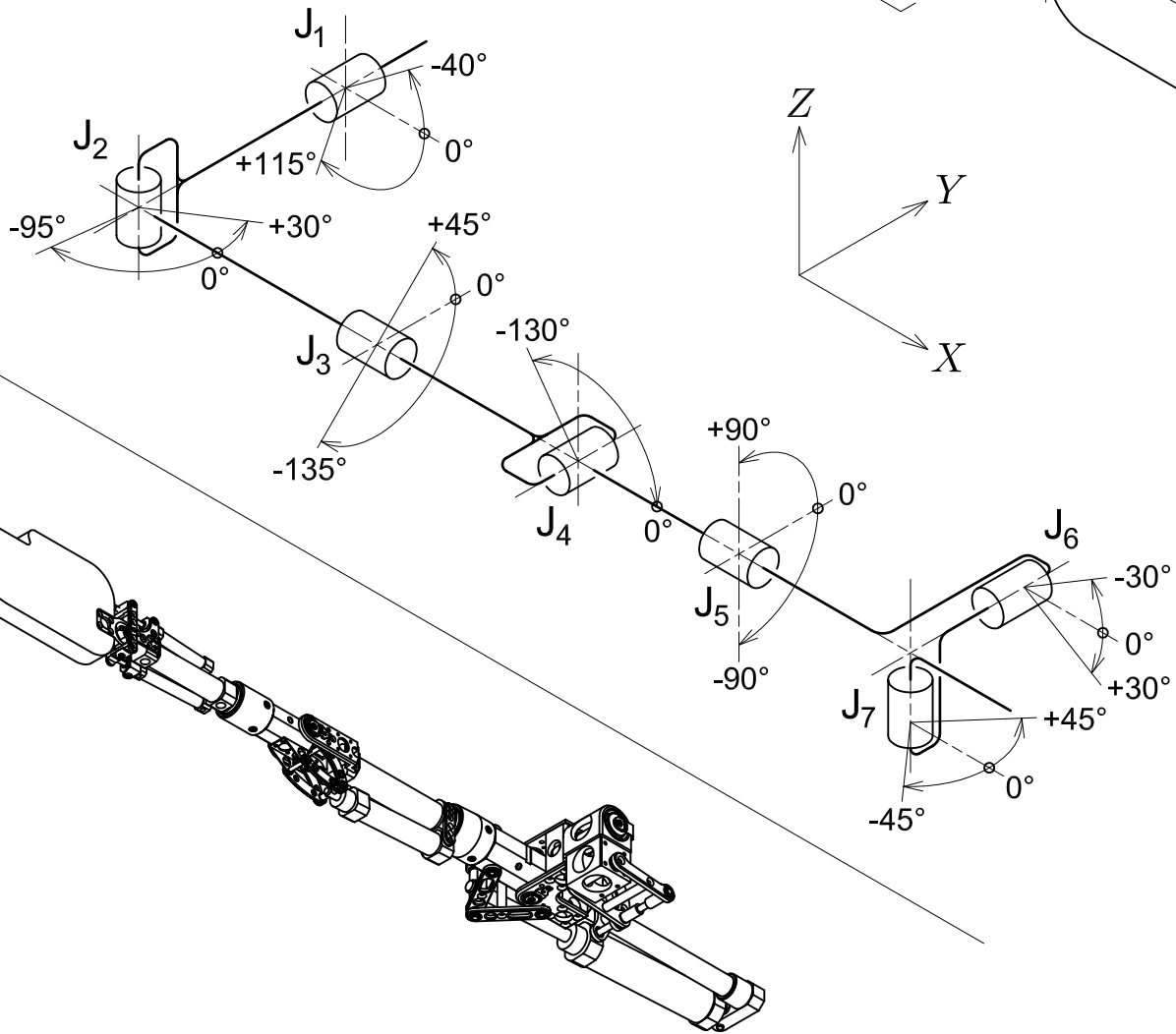
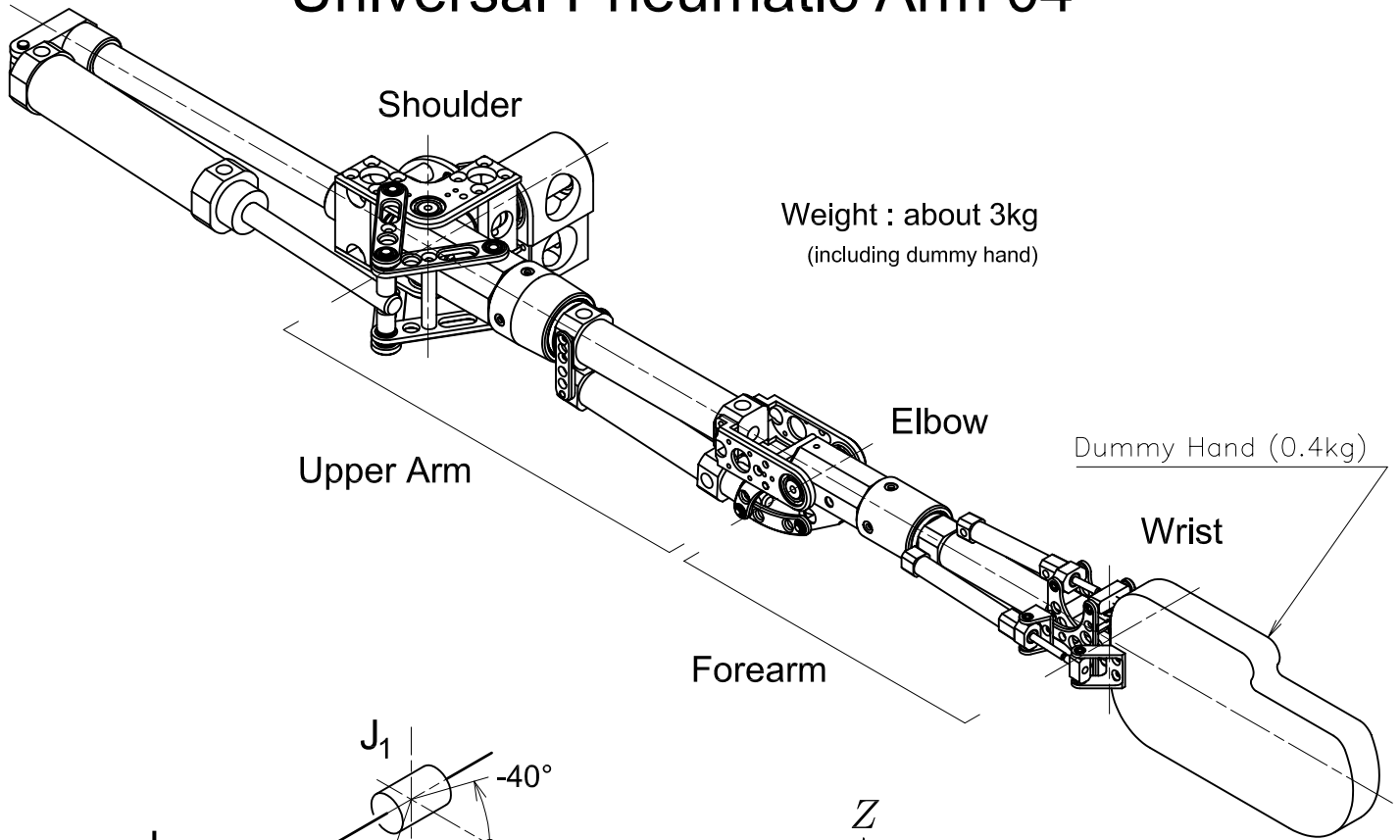
# Universal Pneumatic Arm 04



Overall Weight : about 10kg

Designed by <b>Dr. Ichiro KAWABUCHI</b>	Scale 1/10	Title Overall Picture
<i>TEXART</i>	Date 6/11/06	No. UPA_04-A01

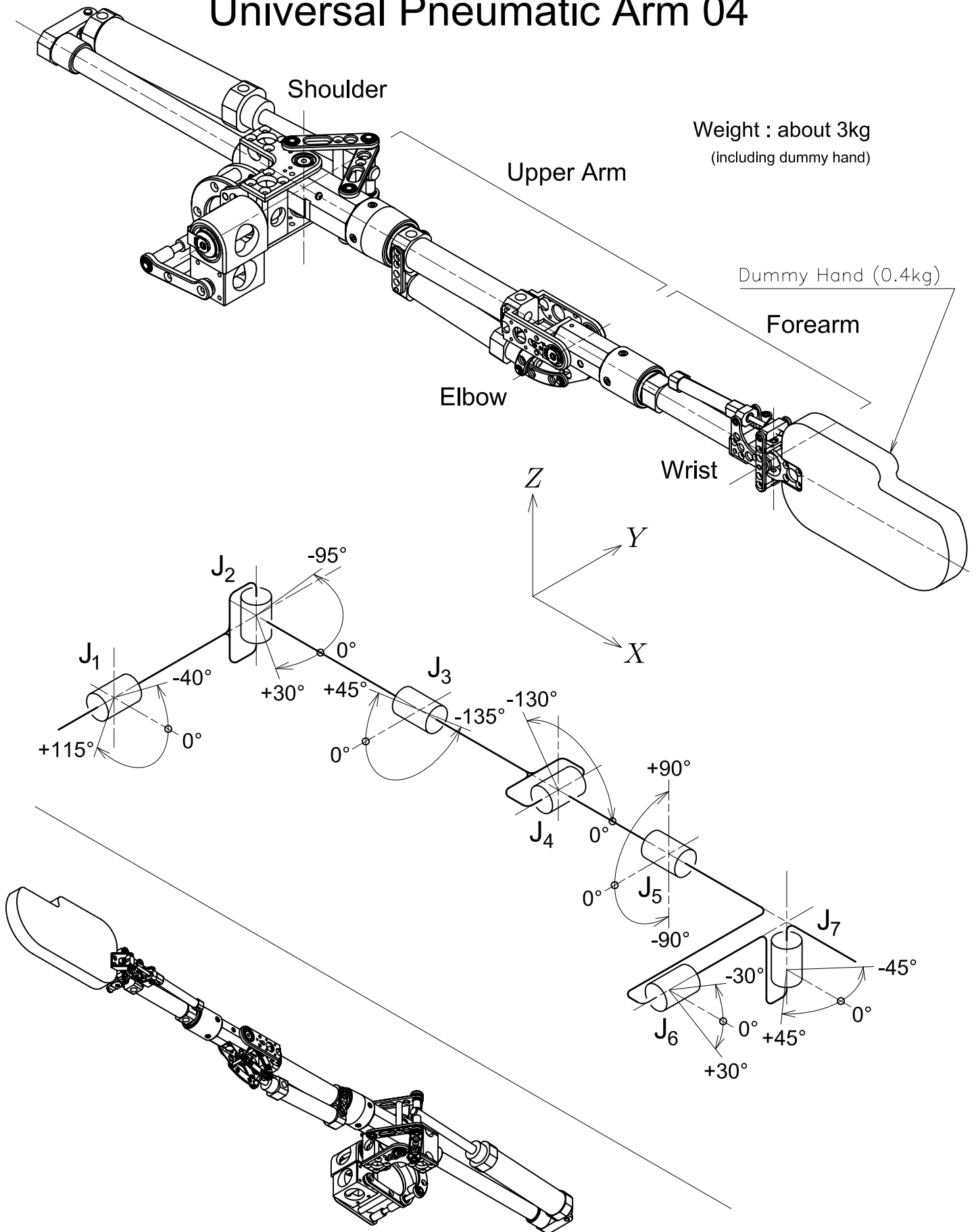
# Universal Pneumatic Arm 04



[Note]  
 Definition of joints and their motions of the right arm.  
 Orientation when all joint angular displacements are 0 is shown.

Designed by Dr. Ichiro KAWABUCHI	Scale -/-	Title Right Arm Definition
<i>TEXART</i>	Date 7/20/06	No. UPA_04-A02R

# Universal Pneumatic Arm 04



[Note]

Definition of joints and their motions of the left arm.  
 Orientation when all joint angular displacements are 0 is shown.  
 Direction of all joint angular displacements are mirror symmetry  
 to those of the right arm with respect to the ZX-plane.

Designed by Dr. Ichiro KAWABUCHI	Scale — / —	Title Left Arm Definition
<i>TEXART</i>	Date 7/20/06	No. UPA_04-A02L